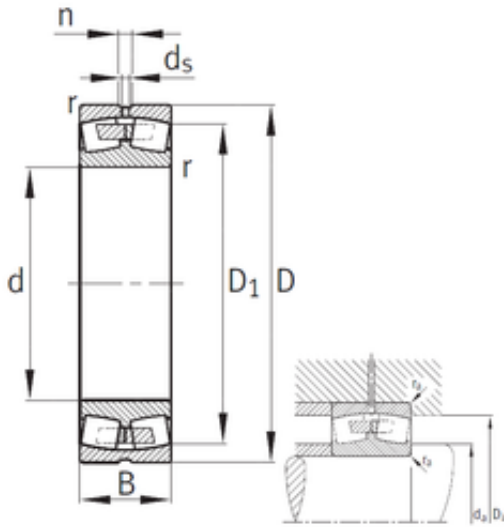




# AMERICAN BEARING MFG.CORP.



## 360 mm x 600 mm x 243 mm FAG 24172-B-K30 Spherical Roller Bearings

Bearing No. 24172-B-K30

|                               |                |
|-------------------------------|----------------|
| Size                          | 360x600x243 mm |
| Bore Diameter                 | 360 mm         |
| Outer Diameter                | 600 mm         |
| Width                         | 243 mm         |
| d                             | 360 mm         |
| D                             | 600 mm         |
| B                             | 243 mm         |
| C                             | 243 mm         |
| n                             | 17,7 mm        |
| r min.                        | 5 mm           |
| D1                            | 503,6 mm       |
| da min.                       | 380 mm         |
| Da max.                       | 580 mm         |
| ra max.                       | 4 mm           |
| d5                            | 9,5 r/min      |
| Weight                        | 275 Kg         |
| Basic dynamic load rating (C) | 4500 kN        |
| Basic static load rating (C0) | 9000 kN        |
| Fatigue load limit (Pu)       | 550            |
| Reference speed               | 355 r/min      |
| Limiting speed                | 750 r/min      |
| Calculation factor (e)        | 0,41           |
| Calculation factor (Y0)       | 1,6            |
| Calculation factor (Y1)       | 1,63           |

24172-B-K30 Bearing 2D drawings and 3D CAD models